



 **faber**

Gas built in | 2020/2021 



Around a fire

Stories just keep coming

Together around the fire, familiar, comfortable. A good glass of wine, some nice music, the warmth around you, the light of the dancing flames. The stories come automatically. About what happened to you during the day, developments at work, news from friends and family. The stories from your past and your big dreams for the future. Things you don't usually share with others but that come so easy now, enveloped by warmth and trust. That's what a fire does to a person! Traditionally, fires were lit to keep the outside world at a distance. It's why a fire creates an atmosphere of intimacy and contact, where you listen to each other's stories.

A fire connects

Around a fire you share your holiday experiences with your friends, you tell your children a bedtime story, and you share your most intimate feelings with your loved one.

A look is all you need, and together you enjoy peaceful silence, gazing at the flames, because you don't need words to understand each other. The fire of love, where better than in front of an open fire? That is where you experience your most beautiful moments and when you take time for each other. That is where you share your stories, full of passion and full of fire!

There is **so much to tell...**



Faber means **175 years of quality**

The connective and soothing effect of an open fire is our passion. We are always looking for the best and most beautiful solutions, because we want our connoisseurs to enjoy an astonishing flame effect.

We strive for the same warmth and urge for quality in our contact with those around us. Our fires have been developed and produced in the Netherlands for devotees all over the world for more than 175 years. Today, Faber is part of the Irish family business Glen Dimplex, market leader in top-quality ambient electric fires. A strong and trusted combination, with a pure origin!

In the vanguard of the fire of the future

Faber's 'fire makers' are driven to produce the most beautiful ambient fires. Rooted in log fires, leading in gas fires and in the vanguard of fires with new fuels, such as biopropane, propane and water mist. With pure craftsmanship, knowledge and advanced technology, Faber is responsible for discoveries and patents that have become standard in the world of fires today. Our latest series of fires, the 'e-MatriX', uses water and electricity and is equally innovative. In short, 'making' ambient fires is part of Faber's DNA, and our pride and passion!

Your Faber fire built especially for you

If you choose a Faber, we build, adjust the settings and check the fire specifically for you. You can be certain that you have a characteristic Faber fire effect and a fire that operates perfectly and safely.



Faber Built-In

for a fire that suits you

Faber built-in gas fires are a statement in themselves. First and foremost because of a fabulously burning fire and the most beautiful finish with life-like decorative logs or modern pebbles. In addition because of the top-quality choice of materials that guarantee years of safe and problem-free enjoyment. Particularly when you operate the fire remotely with a control unit or from your own smartphone.

Faber gas fires are available in a surprising number of versions, dimensions and finishes so you can choose what is best suited to your taste and décor.

The Faber specialist is there for you throughout the entire process!

Did you find your favourite Faber fire? It will be built, set and tested by Faber, specifically for you, before we deliver it to the Faber specialist who will install it in your home.



A Faber fire

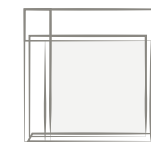
you create yourself

Whatever your preference may be, you always have our enchanting, patented fire effect; fire that fuels the stories people tell each other. Our program consists of several models, formats and decoration options.

Model options



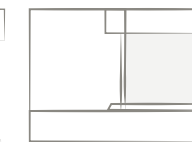
Front model



Two-sided model



Three-sided model



Room divider



See-through model

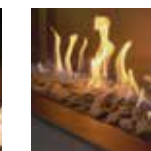
Decoration options



Log set



Carrara pebbles



Grey split stones

Back walls



Back wall smooth steel



Back wall black mirror



A Faber fire **suits any interior**

Interior-design trends

Faber tracks the current interior design trends and developments in detail. This is reflected in our photography and the current trend information in this brochure. It shows how a Faber fire fits in your modern, classic or bohemian interior.

The Faber specialist will be pleased to assist!

Are you considering enriching your home with a Faber fire? Would you like an inspirational design that suits all your wishes and requirements? Faber has a network of selected fire specialists who are here to help. Committed and experienced enthusiasts who are familiar with the possibilities of Faber fires, and who have various Faber models on display. They are keen to advise and like to consider how you can translate your personal wishes into an appealing and attractive interior design. They also deal with professional installation. Check the Faber website for a Faber specialist near you.

Fyn | 450



A

Fyn | 600

Will be delivered with log set and white Carrara pebbles



B

Smart | Relaxed L



B

Smart | Duet

Available in sizes M and L



B

Smart | Triple

Available in sizes M and L



B

Premium | Respect OC



D

Premium | Aspect ST

Available in sizes L and XL



C/B

Premium | Aspect RD

Available in sizes L and XL

C/B





The heart of every Faber fire

The burner

The familiar and loved fire effect of our gas fires starts with our burners. It's a Faber speciality, based on years of in-house development and experience, with lots of patents as a result. Together with the decorations, such as a log set, the burner determines the 'character' of the fire you look at; broadly spread in the fire, or in the middle, stretched out or vertical, more dynamic or really calm. It's a matter of taste! To help you determine your preference, we tell you a little about the characteristics and the differences.



Emberbed Burner®

Sparkling fire



The Faber Emberbed Burner produces a compact, but crackling fire. You can choose to combine the flames with horizontal decorative logs on a bed of ash and amber-coloured stones that enhance the flames' light or with white Carrara pebbles as an alternative. The height of the flames can be set accurately with the supplied remote control. The supplied remote control also has a convenient day timer and thermostat function.



Flat Burner®

Rich, full flames



A Faber Flat Burner® fills the fire with flames that look full and rich at any flame height over almost the entire width of the fire. You can choose decorative materials, including realistic, horizontal logs or white Carrara pebbles or grey split stones. The height of the flames can be set accurately with the supplied remote control. The supplied remote control also has a convenient timer and a thermostat function.



Step Burner®

Revolutionary gas burner



The Faber Step Burner® enables you to enjoy a lush open fire with several pre-set modes (steps). At a high capacity, the flames can be seen over the full width of the fire. At a lower position, the flames are concentrated closer to the middle. A next step will turn the flames down lower. Depending on the model, there is an optional choice of a bed of grey split stones or white Carrara pebbles alongside decoration with beautiful horizontal logs. The main functions of the fire are easy to operate with the standard remote control. Additional functions are available with the Faber ITC app.



The Faber ITC app

get more from your Faber fire



Faber ITC (Intelligent Technical Control) is a smart way of operating your Faber fires with your smartphone or tablet. Besides the standard operating functions, the Faber ITC has a number of additional options to improve the enjoyment and convenience of use and to control energy consumption. Follow your dreams with the pre-programmed 'romantic mood' setting or set the room temperature or operating period from your phone or tablet. Make sure the fire turns off automatically when nobody is around for a period of time or when the window is open. Finally, the Faber ITC tracks the usage history and service needs and informs the app as soon as maintenance is required. This information helps the Faber specialist to carry out maintenance more efficiently.



No natural gas connection,

but you'd love a gas fire? No problem!



You no longer have a permanent gas connection or you'd rather not be dependent on one, but you'd still like a gas fire in your home? Sure! All Faber gas fires are suitable immediately for use on propane gas or biopropane gas.

The gas does not come via the gas pipe to the gas fire, but through smartly connected gas bottles. You can enjoy the warmth and atmosphere of the gas fire of your dreams, even without a natural-gas connection. If you would like to find out more about the options of propane or biopropane, please take a look at the Faber website on faberfires.com or ask the Faber specialist about the options.

Gas built-in fires

	Page	DIMENSIONS		BURNER			DECORATION		
		Exterior dimensions WxHxD in mm	Fire display WxHxD in mm	Emberbed burner®	Step burner®	Flat burner®	Logs	White Carrara pebbles	Grey split stones
Fyn 450	10	522 x 772 x 315	448 x 500	●			●	Optional	
Fyn 600	12	684 x 649 x 335	598 x 350	●			●	●	
Smart Relaxed L	14	1143 x 709 x 382	977 x 430			●	●		
Smart Duet M	16	786 x 817 x 515	680 x 470 x 354			●	●		
Smart Duet L	16	1095 x 834 x 492	994 x 393 x 331			●	●		
Smart Triple M	18	795 x 818 x 515	692 x 470 x 354			●	●		
Smart Triple L	18	1105 x 834 x 492	1002 x 393 x 331			●	●		
Premium Respect OC	20	1104 x 1110 x 427	1004 x 395 x 338		●		●	Optional	Optional
Premium Aspect ST L	22	1444 x 887 x 440	992 x 390		●		●	Optional	Optional
Premium Aspect ST XL	22	1745 x 887 x 490	1293 x 390		●		●	Optional	Optional
Premium Aspect RD L	24	440 x 887 x 1456	336 x 390 x 1004		●		●	Optional	Optional
Premium Aspect RD XL	24	490 x 887 x 1756	378 x 390 x 1304		●		●	Optional	Optional

For more information, please take a look at the website www.faberfires.com

It is not possible to derive any rights from the listed values. Fires on biopropane or propane have a lower flame height.

*Efficiency, capacity, energy-efficiency index and energy-efficiency class on the basis of gas type G20.

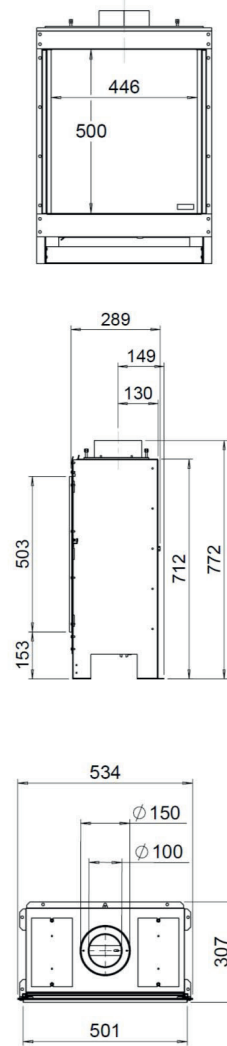
INTERIOR			CONTROLLER		Minimum heat output*	Nominal heat output*	Energy label
Back wall smooth steel	Back wall black mirror	Back wall stone pattern	Remote control	ITC module			
●		Optional	●		1.5 kW	4.2 kW	A
●		Optional	●		1.9 kW	4.5 kW	B
●			●		3.3 kW	7.1 kW	B
●			●		5.0 kW	8.8 kW	B
●			●		4.9 kW	9.2 kW	B
●			●		5.0 kW	8.8 kW	B
●			●		4.9 kW	9.2 kW	B
	●		●	Optional	4.4 kW	10.8 kW	D
●			●	Optional	3.2 kW	8.5 kW	C
●			●	Optional	4.2 kW	10.9 kW	B
●	Optional		●	Optional	3.2 kW	8.5 kW	C
●	Optional		●	Optional	4.2 kW	10.9 kW	B

The options per fire produce an additional cost.

Line drawings

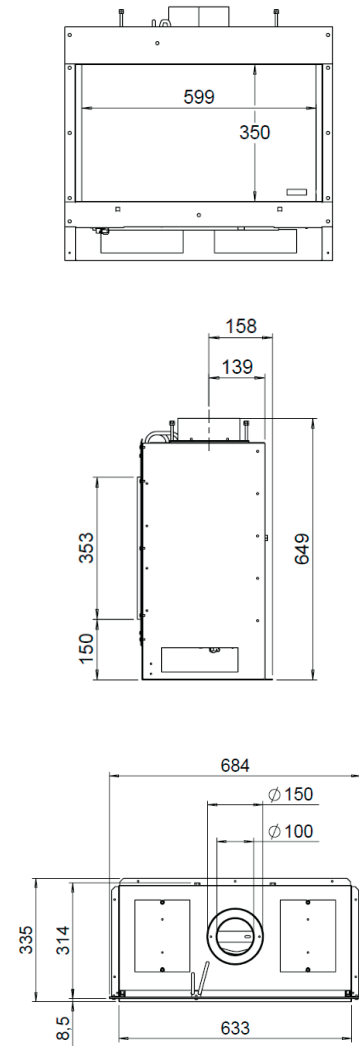
Fyn 450

Page 10



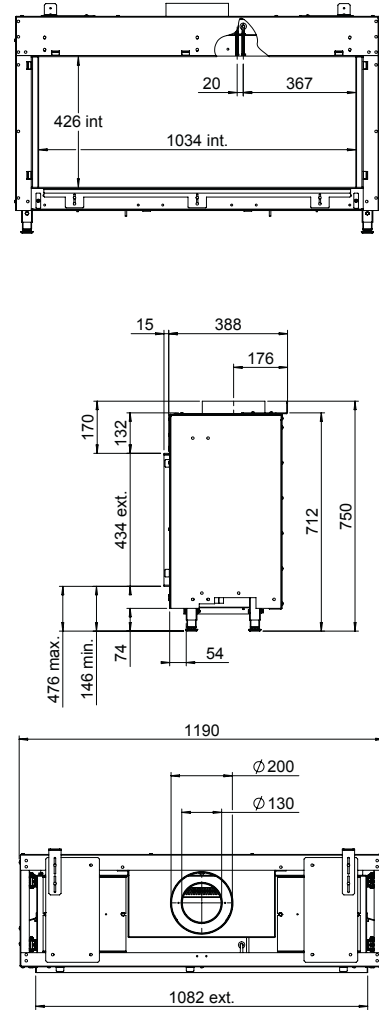
Fyn 600

Page 12



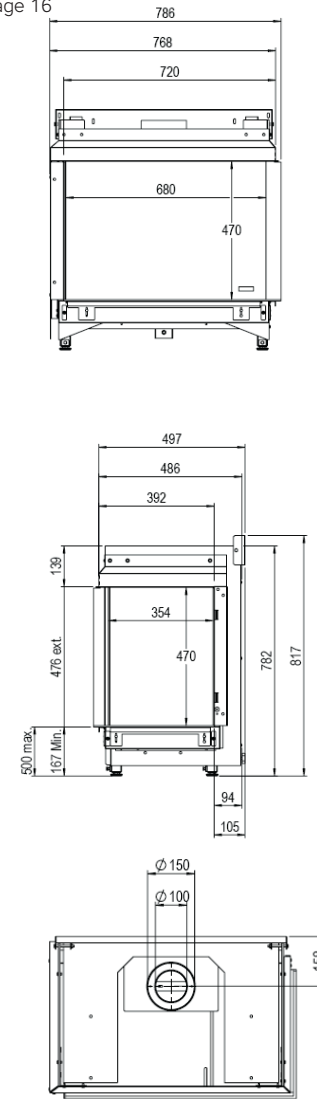
Smart | Relaxed L

Page 14



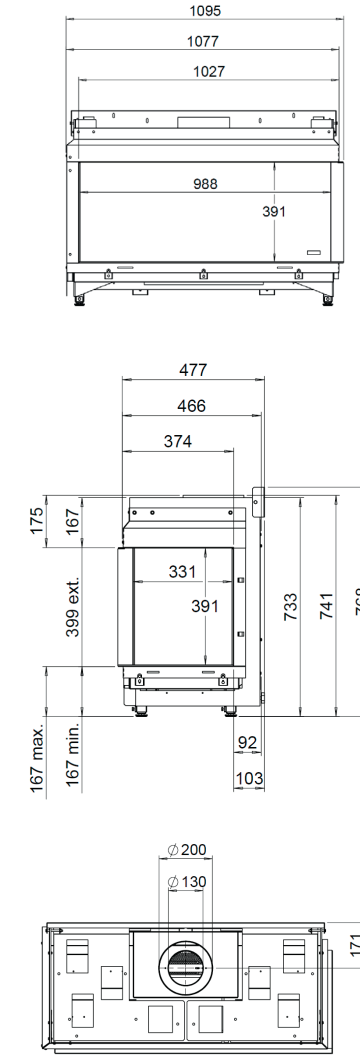
Smart | Duet M

Page 16



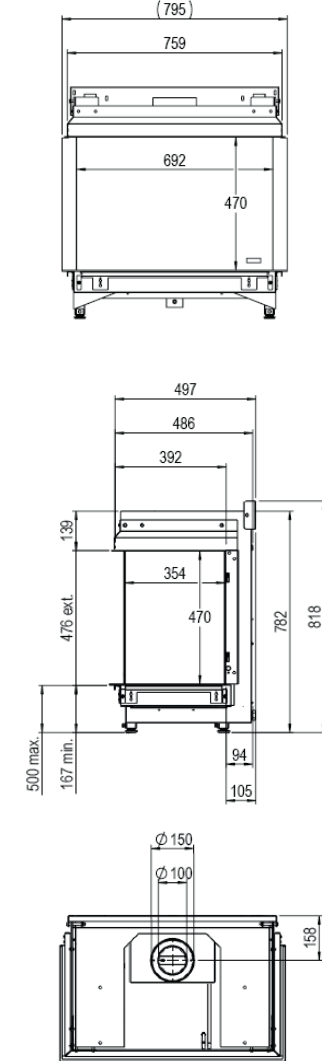
Smart | Duet L

Page 16



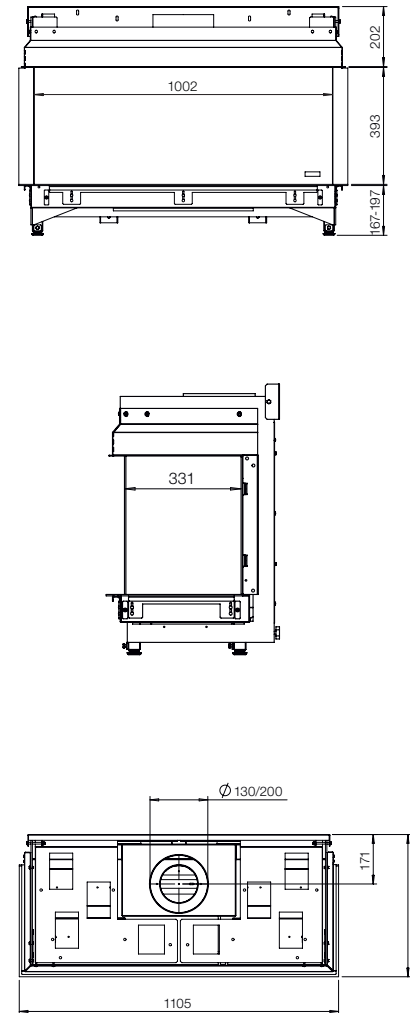
Smart | Triple M

Page 18



Smart | Triple L

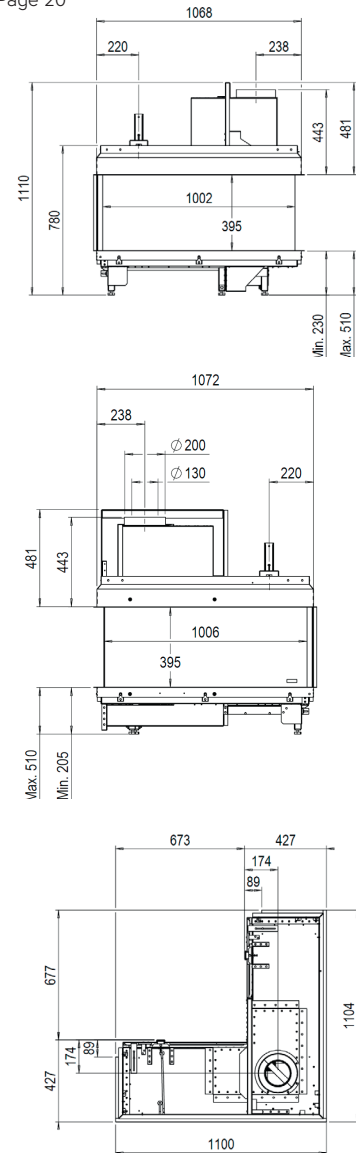
Page 18



Line drawings

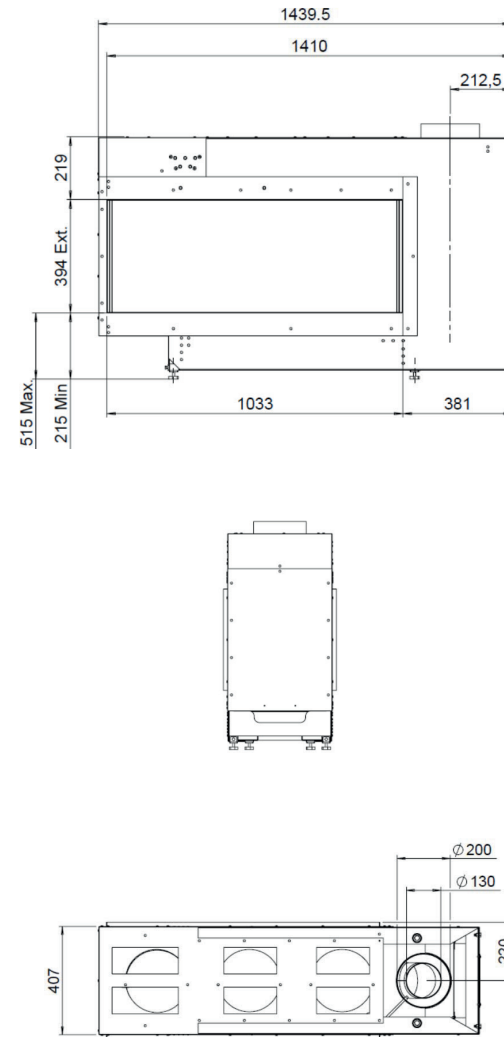
Premium | Respect OC

Page 20



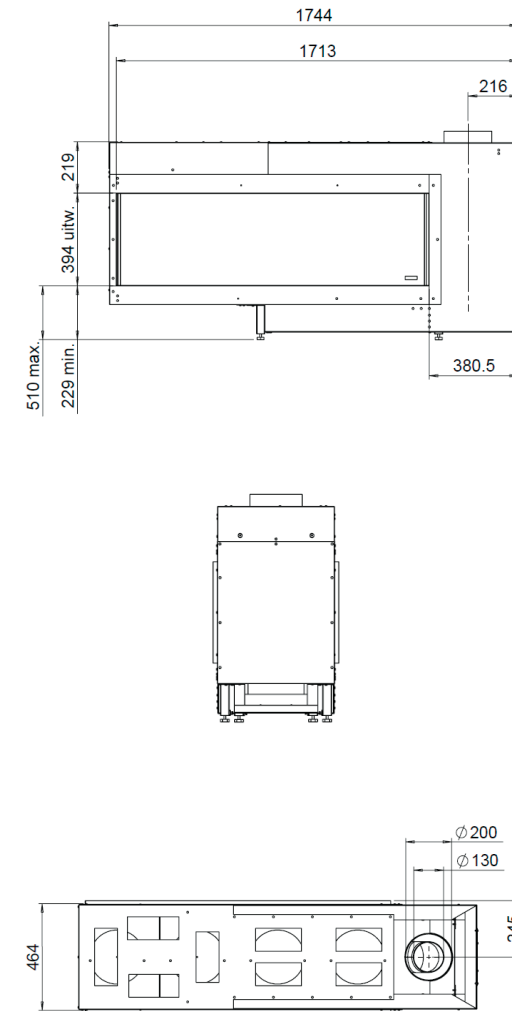
Premium | Aspect ST L

Page 22



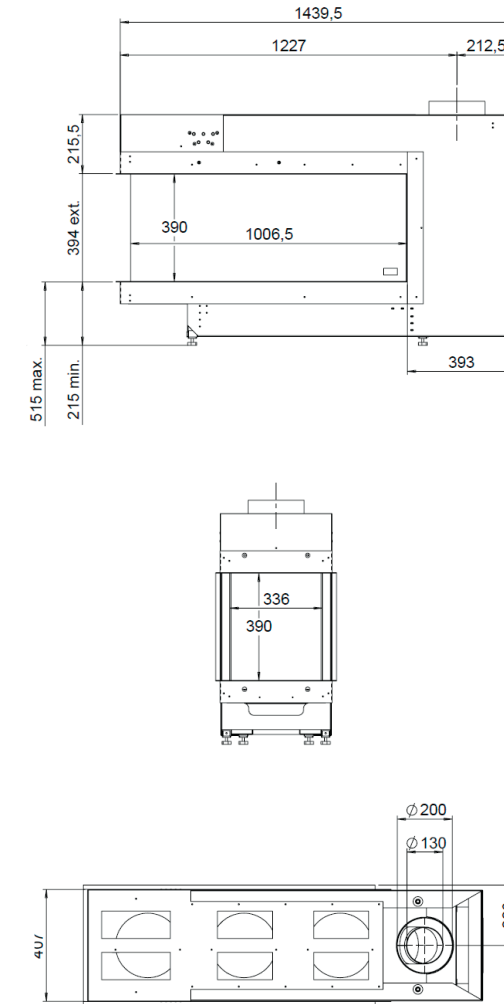
Premium | Aspect ST XL

Page 22



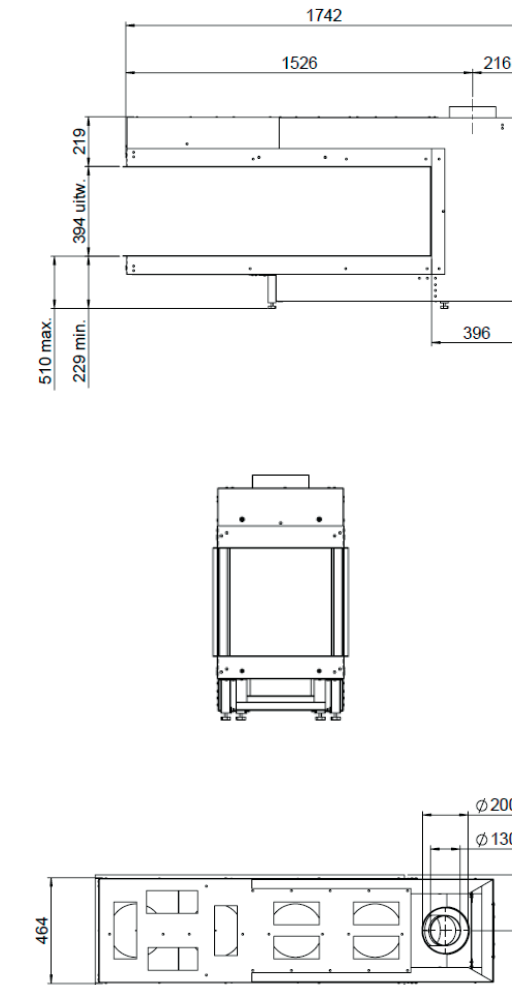
Premium | Aspect RD L

Page 24



Premium | Aspect RD XL

Page 24





Draw a dream fire in your own home

Measurements provide knowledge!

Would you like to know the exact dimensions of our inset fires and stoves? Our dimensions drawings are in this brochure or on our website www.faberfires.com.

You can also find our fires in the design programmes 'SketchUp' or PaletteCad.

Convenient when you want to draw on your own inspiration!
<https://www.sketchup.com/> and
https://www.palettecad.com/en/home_2

The Faber dealer, who can be found on www.faberfires.com, will help you to realise your design.

Your dealer:

Disclaimer

We have produced this publication with the greatest possible care. However the information, including drawings, in this publication may be represented incorrectly, it may have changed or been supplemented. This publication is subject to change. Glen Dimplex Benelux BV is not responsible for the consequences of actions, decisions or results that are solely based on the information in this publication. We emphasise that the correct installation and safe operation should be in accordance with the applicable rules and regulations, the manual, and the expertise and advice of an expert. The photos in this publication only represent examples of possible configurations. Whilst stocks last. Our terms and conditions of delivery are available upon request.



Saturnus 8, NL-8448 CC Heerenveen
PO Box 219, NL-8440 AE Heerenveen

t +31 513 656 500
e info@faberfires.com

faberfires.com

@faberhaarden



FaberInternational



Proud brand of:

